

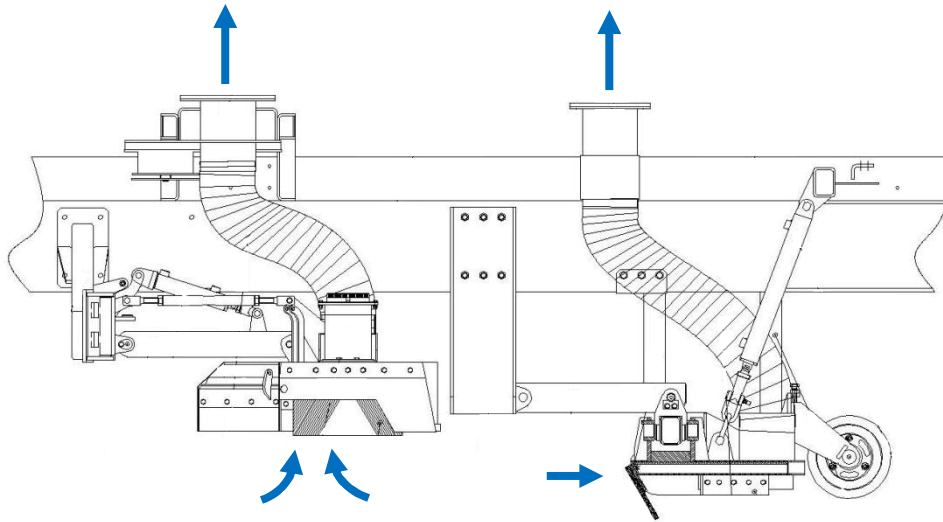
## DIRTY-SUCTION VEHICLE



## Main Parameters

Items		FLM5180TXCDG6NG
GVW	kg	18000
Wheelbase	mm	5600
Payload Weight	kg	5155
Upper Weight	kg	7240
Upper Transportation Dimensions	mm	6365×2505×2540
Max Speed	km/h	100
Selectable Of Chassis Brand		DONGFENG
Auxiliary Engine Model		YC6J190N-52
Auxiliary Engine Power	kW	140
Legislation Compliance		National V Emission Standard
Dustbin Effective Volume	m <sup>3</sup>	4
Water Tank Volume	m <sup>3</sup>	0.46 (Optional)
Max Sweeping Ability	m <sup>2</sup> /h	85000
Max Sweeping Width	m	3.4
Sweeping Speed	km/h	3.5~25
Flip Angle		47°
Power Type		LNG

# Technical Specification



## Base Specification

### Control system:

- The dry wet switch control mechanism and the suction switch adjustment mechanism of the left and right cleaning device are set to realize the diversification of the operation mode. According to the different operation requirements, the dry operation mode and the wet operation mode can be used respectively. Under each mode, the opening of the left and right suction switches can be adjusted respectively, and the application range is wide.
- The electrical system is controlled by integrated modular can bus. The panel has video functions such as fault diagnosis, digital test, real-time display and monitoring of sub engine speed, water temperature, operating conditions, etc. the operation status is clear at a glance and the maintenance is convenient.

### Body:

- The dustbin of the pure suction vacuum truck is made of SUS304 stainless steel, which will never rust.

### Nozzle:

- The unique arrangement of brush vacuum hood and oil cylinder slider adjustment mechanism + wide suction nozzle in the middle solves the dust problem of brush operation, and sweeps the waste along the road without any residue.

### Filter cartridge:

- The unique box structure is adopted, and the filter cartridge is easy to disassemble and maintain. The garbage can adopts the inclined plate structure, which is convenient to unload and does not need manual intervention.
- The whole vehicle adopts 16 cone-shaped membrane covered filter cartridges, with filtering area  $\geq 160$  square meters, large filtering area and better suction effect; it is equipped with air pulse filter cartridge cleaning device, which greatly improves the cleaning effect of the filter cartridge, effectively reduces the situation that the filter cartridge is blocked by dust and improves the operation effect; it is equipped with a large capacity garbage bin and dust removal box to improve the operation efficiency.

## **Optional device:**

- Hydraulic oil heating device can be selected to ensure the normal operation of the hydraulic system in winter.
- It can be equipped with crushing device to crush the fallen leaves on the road surface during the fallen leaves season, so as to improve the cleaning effect of vehicles.
- It can be equipped with clean water tank and discharge spray dust reduction device, which can effectively reduce the secondary dust caused by discharge.
- Left and right front brush independent control.
- LNG double gas tank.
- Video monitoring (monitoring right or rear, or switching monitoring right and rear).