

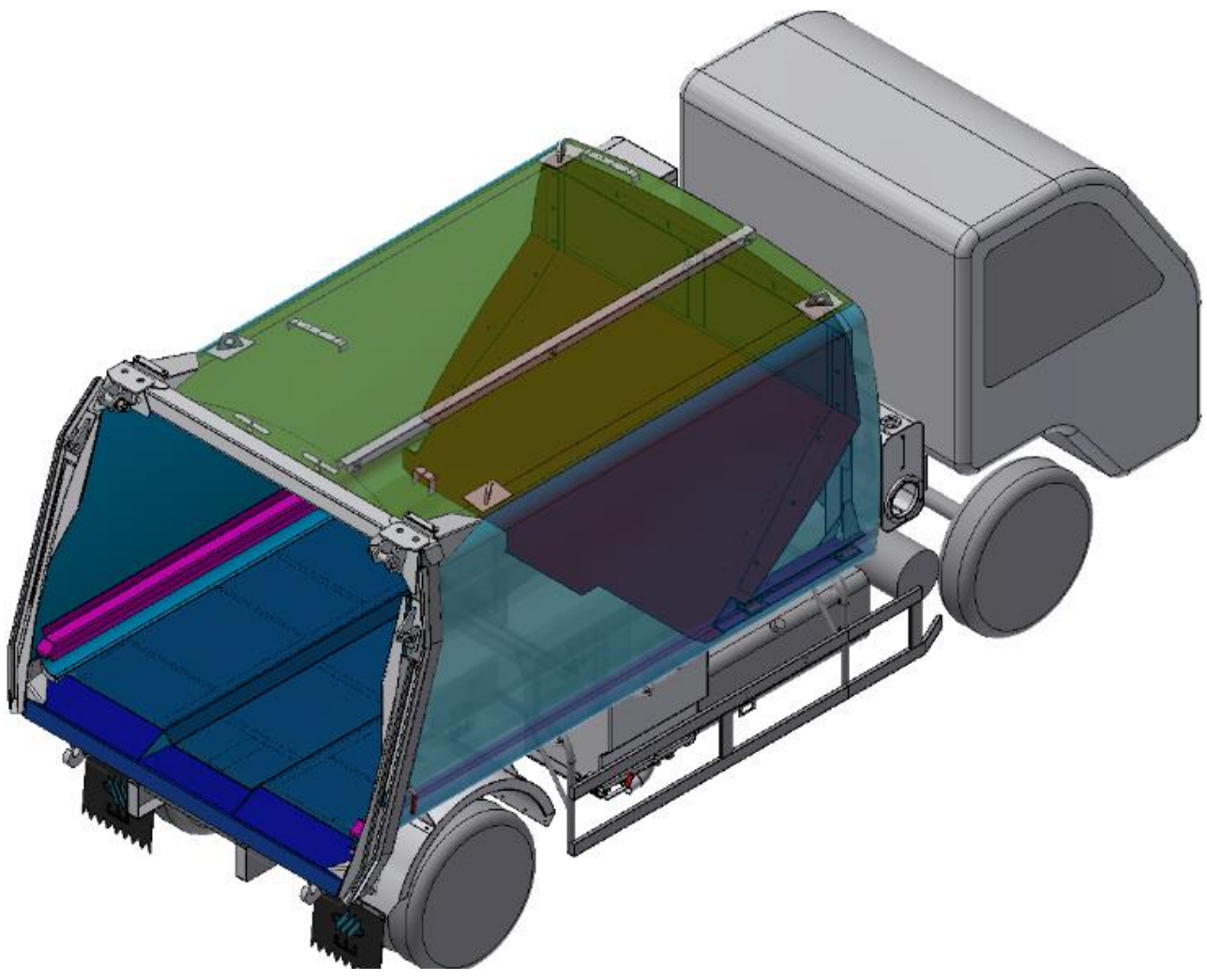
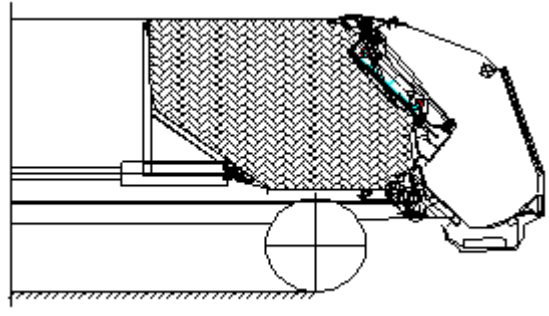
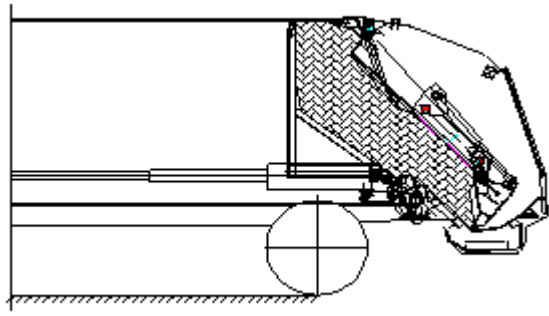
# COMPRESSION REFUSE COLLECTOR









## Main Parameters

Items			FLM5070ZYSQL6QW	FLM5180ZYSDF6KQW
GVW		kg	7300	18000
Payload Weight		kg	1620	6945
Wheelbase		mm	3360	4500
Upper Weight		kg	3400	5260
Upper Transportation Dimensions	Garbage Box	mm	3965×2150×1950	5015×2500×2210
	Hopper	mm	2580×2150×1550	3660×2500×1730
Selectable Of Chassis Brand			ISUZU	DONGFENG
Hopper Volume		m <sup>3</sup>	0.66	1.1
Hopper Opening Width		mm	1565	1870
Hopper Bottom Above Floor (Unladen)		mm	≤1000	≤1280
Refuse Container Capacity		m <sup>3</sup>	6.5	12.5
Waste Water Tank		L	450	905
Garbage Compression Density		t/m <sup>3</sup>	0.65-0.8	0.65-0.8
Hydraulic System Working Pressure		MPa	18	21
Loading Recycle Time		s	≤13	≤17
Lifting Recycle Time		s	≤10	≤11
Discharging Time		s	≤40	≤50
Max Shirking Force		kN	156	187
Max Crush Compressing Force		kN	112	162
Compression Frame			Bi-directional Compression	Bi-directional Compression

# Technical Specification



-  Left board & right board & front of base plate
-  Top plate
-  Guide rail
-  Push plate
-  Rear base plate
-  Push plate slide groove

# Base Specification

## Body:

- The U-shaped truss slot with high strength and Japanese technology is used as the movable guide rail of garbage pushing plate, which has strong compression capacity and good deformation resistance.
- The dustbin and other main components are made of B480GNQR high-strength weathering steel plate produced by Shanghai BAOSTEEL, and arc-shaped design is adopted, which is simple and beautiful, with large effective volume, outstanding overall structural performance and strong impact resistance.
- The sliding block of push plate is made of high wear-resistant alloy material with long service life.

## Control system:

- The intelligent control system of controller is adopted, which can be controlled centrally in the cab. With automatic and manual double control mode, it can control the garbage truck operation in the cab, the middle of the car, the back of the car, etc., which is convenient and efficient.
- The opening of the filler is provided with a sealing cover plate. The opening and closing of the cover plate are pneumatically controlled and easy to operate, which can effectively prevent the secondary pollution of garbage and odor.

## Hydraulic system:

- Equipped with t Bi-directional Compression function, high compression efficiency and large garbage load. When unloading, when the filler is lifted in place, the scraper and sliding plate automatically realize a cycle to clean up the garbage left in the filler.

## Other advantages:

- Equipped with a large capacity sewage tank and combined with a diversion sewage collection device, the sewage leakage between the filler and the garbage box due to the failure of the sealing strip can be drained into a special sewage collection box, effectively preventing the secondary pollution caused by the sewage leakage.
- The joint of the stuffing machine and the box body adopts the adjustable hydraulic locking full sealing technology, with good sealing performance.
- It is equipped with many safety protection measures, such as slider up, scraper up button, emergency stop button, interlock switch to prevent the stuffer from falling, safety strut, self-locking function of the lifter cylinder of the stuffer, to ensure the safety of personnel.
- Equipped with night work lights, convenient for sanitation workers to work at night.

## Optional device:

- Full surrounding structure can be selected.
- Stainless steel waste water tank (one on the left and one on the right).
- Optional pressure switch of scraper and sliding plate.
- According to the needs of users, equipped with all kinds of garbage lifting devices. The well-designed lifting support makes it possible to configure a variety of lifting devices.
- FLM5070ZYSQL6QW:
  - 1.Optional electric hydraulic cylinder to open and close the rear cover plate of the stuffer (need to add valve group control).
  - 2.Optional domestic filler chute with roller.
- FLM5180ZYSD6KQW: Optional German chute with slider.